

Scalar Wave Harnessing Vibrational Energy and Wellness

Bahman Zohuri*,

García-Adjunct Professor of Artificial Intelligence/Machine Learning, Golden Gate University, Ageno School of Business, San Francisco, California, USA

Abstract

Scalar waves, also known as longitudinal scalar waves, are theorized to be a unique form of energy that can interact with the human body's energy fields at a quantum level. These waves, distinct from traditional Hertzian electromagnetic waves and have characterized by their energy nature, are believed to influence cellular resonance, enhance energy flow, and restore balance within the biofield, potentially promoting healing and overall wellness. The concept of quantum healing, which suggests that the body operates not only as a physical entity but also as an energetic system, aligns closely with the potential of scalar waves to restore harmony and support the body's natural healing processes. Scalar waves may facilitate improvements in physical health by optimizing cellular function, reducing inflammation, and improving cellular communication. Additionally, they hold promise in mental health applications by promoting relaxation, reducing stress, and supporting emotional resilience. As research progresses, scalar waves may play a pivotal role in energy medicine and quantum healing, offering a novel approach to both physical and mental well-being.

Keywords: Scalar Waves, Longitudinal Waves, Quantum Healing, Energy Medicine, Cellular Resonance, Biofield, Cellular Communication, Vibrational Healing, Mental Health, Healing Energy.

Introduction

One fascinating area of study and advancement is the investigation of scalar waves (SWs) or Longitudinal Scalar Waves (LSWs) in the fields of medicine and healing. Although there is a strong historical link between these waves and Nikola Tesla's work, research and discussion on their actual medical applications are still ongoing. Because of their special electromagnetic characteristics and non-Hertzian nature, scalar waves have sparked a variety of treatments and gadgets intended to use their purported therapeutic potential.

Scalar waves, often regarded as a form of vibrational energy, have sparked interest in the realm of alternative healing and wellness. As researchers explore their potential to influence the body's energy fields, scalar waves are emerging as a promising tool for promoting physical, emotional, and mental well-being.

But the field is not without its difficulties, such as the requirement for ethical concerns, regulatory control, and scientific confirmation. The secret to revolutionary developments in medicine and healing might lie in the enigmatic realm of scalar waves. We may better comprehend and utilize the potential of these mysterious electromagnetic waves to enhance healthcare and life itself by adopting an evidence-based, holistic approach.

It is crucial to approach this topic with a critical and fact-based viewpoint as researchers continue to unravel the secrets of scalar waves. There is no denying the promise for medical and therapeutic advancements, but achieving these potential calls for careful scientific investigation, moral behavior, and prudent application of scalar wave technology. The full potential of scalar waves in healthcare may become apparent as the twenty-first century goes on, presenting fresh opportunities to enhance human health and healing.

The way forward calls for thorough scientific investigation, interdisciplinary teamwork, adherence to ethical standards, and public and healthcare professional awareness. By taking these steps, we can better understand the intricacies of scalar waves and possibly discover their therapeutic potential to improve human health and welfare.

*Corresponding Author:

Bahman Zohuri, Adjunct Professor of Artificial Intelligence/Machine Learning, Golden Gate University, Ageno School of Business, San Francisco, California, USA 94105;

Email: bahmanz@aol.com

Received Date: 24 Mar, 2025

Accepted Date: 27 Mar, 2025

Published Date: 31, Mar 2025

Scalar waves, a relatively obscure and enigmatic field of electromagnetic phenomena, have gained attention in recent years for their potential applications in medicine and healing. Often referred to as “Tesla waves” or “longitudinal waves,” these waves are not to be confused with more conventional electromagnetic waves such as microwaves or radio waves. Scalar waves are characterized by their non-Hertzian nature, meaning they do not oscillate in the conventional sinusoidal pattern. Rather, they have a special ability that allows them to engage with biological systems in ways that could be useful for therapeutic purposes. This page explores the history of scalar waves, their science, and the developing field of study and real-world medical and therapeutic uses.

Originally, mathematical researcher James Clerk Maxwell discovered scalar waves while studying electromagnetism. Since scalar waves had not been discovered or confirmed by science, his work was essentially disregarded. Research on scalar waves has been credited to Nikola Tesla, who is well-known for his contributions to Alternating Current (AC) power. In 1899, while conducting experiments on wireless energy transmission, Tesla proved the existence of scalar waves [1-3].

A key component in the production of scalar waves was the Tesla coil (Figure-1). Even though some of his theories and experiments were deemed radical at the time they were developed, they have since come to light and caught the attention of scientists and researchers looking into alternative forms of medicine and healing. Scalar waves’ special characteristics have sparked conjecture over their possible uses in the fields of medicine and healing. Even though the field is very young, a number of interesting topics have surfaced. The ability of scalar waves to interact with biological systems at the cellular level is one of the main areas of concentration in this field of study.

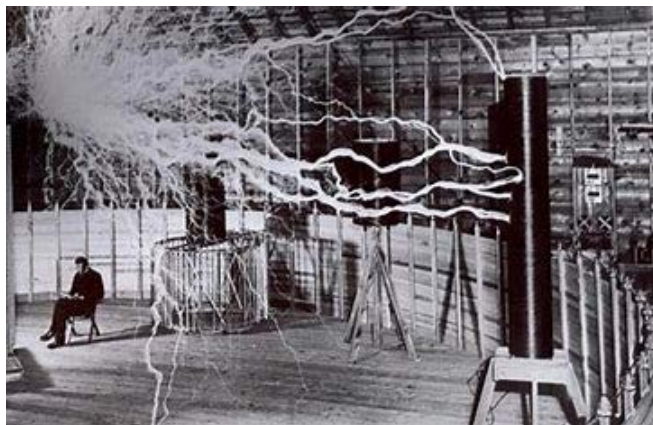


Figure-1: Tesla Coil & Himself Images
(Source: www.wikipedia.org)

This article delves into the nature of scalar waves and their potential to facilitate quantum healing, exploring how these waves might influence the body’s energy system, optimize cellular resonance, and restore balance to our biofields for better health (Figure-2). Understanding the link between scalar waves and quantum healing could help bridge the gap between advanced physics and holistic health practices.



Figure-2: Tesla Coils Energy Driven Human Quantum Healing [1].

While the scientific community remains divided on the mechanisms of scalar waves, alternative healing practitioners have explored the use of Tesla coils and other high-frequency energy devices in therapeutic settings. Some proponents of energy medicine believe that Tesla coils, when tuned to specific frequencies, can generate beneficial scalar-like waves that promote cellular healing.

In practice, devices that are inspired by the Tesla coil—such as devices that emit high-frequency electrical energy or those that aim to produce scalar waves—are sometimes used in wellness centers and alternative medicine practices. These devices are believed to help balance the body’s energy systems, reduce inflammation, and improve overall health. Although clinical studies validating the therapeutic efficacy of these devices are limited, anecdotal evidence from patients suggests they may offer benefits such as enhanced energy levels, pain relief, and improved emotional well-being.

In summary, the Tesla coil, a revolutionary invention by Nikola Tesla, holds a key role in discussions about scalar waves and longitudinal wave energy. Although Tesla’s coil primarily generates electromagnetic waves, some proponents of scalar wave theory suggest that the high-frequency energy it produces could also give rise to scalar-like waves. Scalar waves, theorized to be non-dispersive and capable of influencing the body’s energy field, may have applications in cellular healing, energy balancing, and promoting wellness.

While mainstream science does not fully recognize scalar waves as a distinct form of energy, Tesla’s work continues to inspire new ideas about wireless energy transmission and the potential of vibrational energy in healing. The connection between the Tesla coil and scalar waves remains speculative, but the concepts put forth by Tesla regarding energy transmission and resonance continue to shape the way alternative medicine and energy healing are explored today. Figure-3

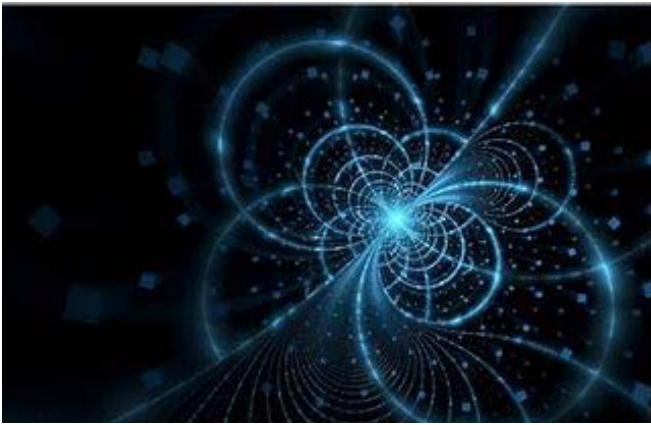


Figure-3: Harness the Power of Scalar Wave Healing
(Source: www.painfreeforlife.com)

As research into scalar energy, longitudinal waves, and their potential applications in medicine advances, the role of devices like the Tesla coil in harnessing vibrational energy for healing will continue to be a fascinating area of exploration. Whether through the direct use of Tesla coils or through the development of new technologies inspired by his work, the future of scalar wave therapy and vibrational energy healing holds much promise in the quest for improved health and well-being [4-7].

What Are Scalar Waves?

Scalar waves are often described as non-Hertzian electromagnetic waves, meaning they do not oscillate in the typical manner like conventional radio or light waves. Unlike regular electromagnetic waves that travel in sinusoidal patterns, scalar waves are thought to travel as a scalar or longitudinal wave, which can move through space without dispersing their energy. This characteristic makes them fundamentally different from more familiar types of electromagnetic radiation, such as radio waves, microwaves, and visible light (Figure-4) [1,2].

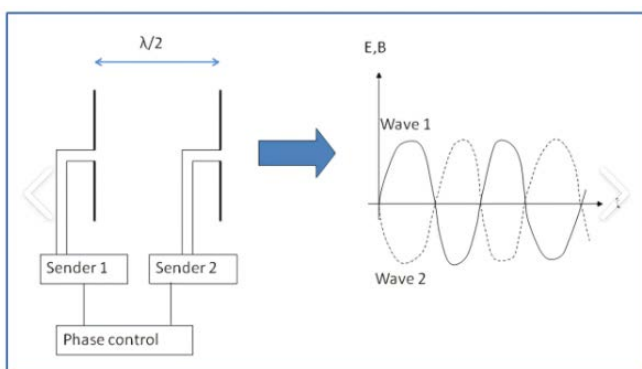


Figure-4: Scalar Wave Theory Driven Scalar Wave Healing
(Source: www.Amazon.com)

The theoretical existence of scalar waves is often attributed to the work of Nikola Tesla, who described the concept of “longitudinal waves” and their potential for various applications, including energy transmission. However, the more formal scientific validation of scalar waves has been limited, as they are not widely recognized in mainstream physics. Nonetheless, researchers and practitioners of energy medicine assert that scalar waves have profound potential for influencing health and well-being.

In summary, Scalar Waves (SWs) or Longitudinal Scalar Waves (LSWs), as distinct from traditional electromagnetic waves, are often described as longitudinal waves. In a longitudinal wave, oscillations occur in the direction of wave propagation, rather than perpendicular to it. Scalar waves are theorized to be a type of energy that can pass through space and time without dispersing, unlike conventional electromagnetic waves, which lose energy over distance. Scalar waves are thought to be stable and capable of carrying energy over long distances without significant decay, a feature that sets them apart from typical radio or light waves.

The idea of scalar waves stems in part from Tesla’s theoretical work on non-Hertzian waves, a form of wave that does not fit into the conventional understanding of electromagnetic waves. These waves, which are sometimes described as “etheric waves” or “Tesla waves,” are believed to be capable of interacting with the human body’s energy field, influencing cellular frequencies and promoting healing.

Scalar Waves and the Human Body

The human body, in the context of energy medicine, is believed to operate within a complex energy field. This biofield, or subtle energy system, is thought to consist of various electromagnetic vibrations that are unique to each individual. Advocates of scalar wave therapy propose that these waves can influence the biofield, promoting harmony and balance within the body.

Scalar waves interact with the body’s natural frequencies by influencing cellular resonance. Cellular resonance refers to the natural frequency at which individual cells and their components vibrate. The health of cells is directly related to the efficiency of these vibrational patterns. Disruptions in these frequencies, whether due to disease, stress, or injury, can lead to dysfunction and illness. Scalar waves are theorized to help re-establish healthy cellular frequencies, thus promoting healing and overall wellness.

One of the primary ways scalar waves are thought to influence the body is by improving communication between cells. Cells communicate with each other through electromagnetic signals, and it is believed that scalar waves can enhance this communication by facilitating the alignment of cellular frequencies. This improved communication is thought to optimize various cellular processes, such as nutrient absorption, detoxification, and repair mechanisms. As a result, scalar waves are believed to promote faster recovery from illness, reduce inflammation, and improve overall bodily function.

Bear in mind that, due to the nature of scalars as being energy waves, these types of waves propagate without a medium, unlike electromagnetic waves. They can travel through empty space, solid objects, and live organisms without losing intensity. Scalar waves work well for healing because they may penetrate deep into the body and interact with its energy fields to restore balance.

The Role of Scalar Waves in Energy Medicine

Energy medicine is an alternative therapeutic approach that emphasizes the role of energy fields in maintaining health and wellness. It operates on the belief that disruptions in the body’s energy system can lead to physical illness, emotional disturbances, and psychological issues. By correcting these imbalances, energy medicine aims to restore health through the manipulation or stimulation of the body’s energy fields [7,8].

Scalar waves play a central role in many energy medicine modalities, as they are believed to be capable of influencing and correcting energy imbalances within the body. One of the key concepts in energy medicine is that the body's energy field is constantly in flux, influenced by external factors such as environmental stressors, emotional states, and physical trauma. Scalar waves are thought to interact with the body's biofield (Figure-5), helping to restore balance and harmony, which in turn may support the healing of physical ailments.

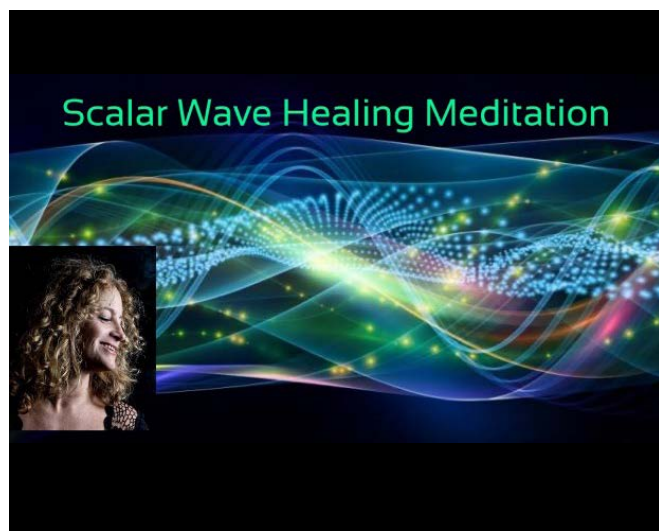


Figure-5: Scalar Wave Energy Vibration Driven Healing and Wellness
(Source: www.amazon.com)

In addition to their role in physical health, scalar waves are thought to have an impact on the mental and emotional aspects of health. Energy medicine approaches that utilize scalar waves propose that these waves can help clear emotional blockages and restore balance to the energy system, which is believed to be crucial for maintaining both mental and physical health. By correcting imbalances in the body's energy fields, scalar waves may also help address conditions such as chronic pain, fatigue, and even emotional trauma.

The Role of the Tesla Coil in Scalar Waves and Longitudinal Waves

To fully understand how scalar waves or longitudinal scalar waves are linked to the Tesla coil, it's important to first explore the concepts of these waves and how the Tesla coil functions. The Tesla coil, invented by Nikola Tesla in the late 19th century, is a type of resonant transformer circuit that can generate high-voltage, high-frequency alternating current (AC) electricity. While Tesla's work primarily focused on the creation and use of electromagnetic waves, the connection between the Tesla coil and scalar or longitudinal waves lies in the way energy propagates and how Tesla envisioned the transmission of energy.

Scalar Waves for Inflammation and Cellular Healing

Inflammation is a common response to injury or infection, but when it becomes chronic, it can contribute to a wide range of health problems, including autoimmune diseases, cardiovascular disease, and cancer. Conventional treatments for inflammation often focus on reducing symptoms through medications, but scalar wave therapy may offer an alternative approach by addressing the root cause of inflammation. Figure-6



Figure-6: Wave Healing and Wellness
(Source: freepik.com)

Scalar waves are thought to influence the body's inflammatory response by improving the flow of energy through the cells. By restoring cellular resonance and optimizing cellular communication, scalar waves may reduce the production of pro-inflammatory cytokines and promote a healthier inflammatory response. This, in turn, could lead to faster healing and a reduction in chronic inflammation.

Studies on the use of scalar waves for inflammation and cellular healing have suggested that they may enhance the body's natural repair processes. For example, scalar waves are thought to stimulate mitochondria, the energy powerhouses of the cell, which play a key role in cellular function and repair. By boosting mitochondrial activity, scalar waves may help accelerate tissue repair and promote recovery from injury.

Exploring the Potential of Quantum Healing Via Scalar Wave

In recent years, scalar waves have captured the imagination of researchers and practitioners within the realms of alternative medicine, quantum physics, and energy healing by holding different characteristic nature than traditional Transverse Electromagnetic (TEM) waves that we encounter in daily life, are believed to possess unique properties that could potentially unlock new dimensions in healing practices. Often associated with concepts of quantum healing, scalar waves are theorized to interact with the body's energy fields at the quantum level, influencing cellular functions and promoting overall health. Figure-7



Figure-7: Scalar Wave Helping Quantum Meditation
(Source: www.Amazon.com)

The nature of scalar waves and their potential to facilitate quantum healing, exploring how these waves might influence the body's energy system, optimize cellular resonance, and

restore balance to our biofields for better health. Understanding the link between scalar waves and quantum healing could help bridge the gap between advanced physics and holistic health practices.

The ability of scalar waves to interact with biological systems at the cellular level is one of the main areas of concentration in this field of study. Scalar wave therapy proponents contend that by influencing cellular resonance, these waves can aid in healing and general well-being. Scalar waves are thought to promote cellular communication, lower inflammation, and balance the body's energy, all of which can improve health and hasten the healing process from a variety of illnesses.

Overall, at its core, scalar wave therapy is rooted in quantum physics. This branch of science deals with the behavior of matter and energy at the molecular, atomic, nuclear, and even smaller microscopic levels. It's a world where the rules of classical physics no longer apply, and particles can exist in multiple states simultaneously.

Mental Health and Stress Reduction

One of the most intriguing applications of scalar waves is their potential to improve mental health and reduce stress. Chronic stress has been linked to a variety of health problems, including anxiety, depression, and cardiovascular disease. Scalar wave therapy, by influencing the body's energy fields, may help alleviate stress by promoting relaxation and restoring balance to the autonomic nervous system.

Scalar waves are believed to interact with the body's energy system in a way that can induce a state of deep relaxation. This is particularly important for individuals suffering from stress-related disorders, as it may help reduce the overactive fight-or-flight response and promote a sense of calm. By restoring equilibrium to the body's energy fields, scalar waves may also support emotional healing and resilience, helping individuals cope with the psychological effects of stress.

Advocates of scalar wave therapy argue that it can be used as a complementary treatment for conditions such as anxiety, depression, and Post-Traumatic Stress Disorder (PTSD). While more research is needed to fully understand the mechanisms through which scalar waves affect mental health, early studies and anecdotal evidence suggest that scalar wave therapy may offer a promising approach to stress reduction and emotional well-being [9-16].

Applications and Future Research

While the potential benefits of scalar waves in healing and wellness are compelling, it is important to note that this field of study is still in its early stages. The scientific community remains divided on the existence and efficacy of scalar waves, and further research is needed to validate the claims made by proponents of energy medicine. However, as interest in alternative healing methods grows, scalar wave therapy is gaining popularity as a complementary treatment for a variety of conditions.

Researchers are beginning to explore the practical applications of scalar waves in clinical settings. Some practitioners are using scalar wave devices to treat conditions such as chronic pain, inflammation, and stress, while others are studying their effects on mental health and emotional well-being. As the body of research expands, it is likely that more concrete evidence will

emerge, allowing for a better understanding of the role scalar waves can play in promoting health and wellness.

Artificial Intelligence and Machine Learning in Harnessing Vibrational Energy for Wellness

As we explore the potential of scalar waves and vibrational energy in promoting wellness, the integration of Artificial Intelligence (AI) and Machine Learning (ML) can significantly enhance the application, measurement, and effectiveness of such therapies. AI and ML, technologies that involve the ability of machines to learn and make decisions based on data, have the potential to play a crucial role in optimizing the use of scalar waves in healing and energy medicine. This section discusses how these advanced technologies can be leveraged in various aspects of harnessing vibrational energy for wellness, particularly in improving cellular health, reducing inflammation, balancing energy fields, and promoting mental well-being.

One of the most important aspects of utilizing scalar waves for healing is accurately measuring their effects on the body. Scalar waves, being non-Hertzian, have unique properties that make them difficult to detect and quantify using traditional methods. However, AI and ML can assist in the development of new tools and techniques to analyze and measure the influence of scalar waves on the body's energy fields.

AI can be used to analyze vast datasets from sensors that detect changes in electromagnetic fields, brainwave patterns, and other physiological markers. For instance, advanced algorithms can be employed to process data from biofeedback devices or sensors that measure the body's response to scalar wave therapy. By learning from this data, AI systems can recognize patterns and determine how scalar waves influence specific physiological conditions or disease states. This data-driven approach allows for a more accurate assessment of how scalar waves impact health, offering personalized treatment plans based on individual needs and responses.

Machine learning, a subset of AI, is particularly valuable in this context. ML algorithms can continuously learn from incoming data, adapt to changes in the body's response, and optimize therapeutic protocols. For example, ML could be used to analyze the effects of scalar waves on inflammation or cellular repair over time, helping to refine the delivery of scalar wave therapy to achieve the best outcomes.

In this context, the integration of Artificial Intelligence and Machine Learning into scalar wave therapy and energy medicine represents a transformative advancement in holistic healing practices. AI and ML technologies provide powerful tools to personalize treatments, optimize therapeutic protocols, and enhance our understanding of how scalar waves influence the human body at a cellular and energetic level. From precision measurement and real-time data analysis to personalized healing and mental health support, AI and ML have the potential to unlock new dimensions of healing, balance, and wellness [17,18].

As research in this field progresses, the synergy between vibrational energy therapies like scalar waves and AI/ML technologies will likely expand, offering more precise, individualized, and effective approaches to health and healing. Whether addressing physical ailments, reducing inflammation, improving mental well-being, or restoring energy balance, AI and scalar waves together promise a future where wellness is not just a passive experience but a dynamic, data-driven, and personalized journey toward optimal health.

Conclusion

Scalar waves offer a unique perspective on the healing potential of vibrational energy and its ability to influence the human body at the cellular level. By interacting with the body's natural frequencies, scalar waves are thought to promote healing, reduce inflammation, enhance cellular communication, and improve overall wellness. While scalar waves remain a topic of ongoing research, their potential applications in energy medicine, inflammation reduction, and mental health are promising. As scientific understanding of scalar waves grows, they may become an integral part of a holistic approach to healing that considers both the physical and energetic aspects of human health.

In conclusion, scalar waves represent an exciting frontier in the field of healing, offering a potential pathway for restoring balance and harmony within the body and mind. With further research and exploration, scalar waves may become an important tool in the pursuit of optimal health and well-being.

References

- Bahman Zohuri (2018) *Scalar Wave Driven Energy Applications* 1st Edition, Springer Publishing Company.
- Bahman Zohuri (2018) *Principle of Scalar Electrodynamics Phenomena Proof and Theoretical Research*. Journal of Energy and Power Engineering, David Publishing 12: 408-417.
- Bahman Zohuri (2025) *Wave-Mediated with Genetically Modified Organism (GMO) Exploring the Influence of Electromagnetic and Scalar Fields on Biological System*. Journal of Clinical Case Studies, Reviews & Reports 3: 1-6.
- Bahman Zohuri (2025) *Unlocking the Potential of Longitudinal Scalar Wave (LSW) A Non-Invasive Approach to Neurological Care and Autism Treatment*. American Journal of Biomedical Science & Research 25: 331-336.
- Bahman Zohuri (2024) *Innovations in Neuromodulation: The Role of Biomedical Science in Transcranial, Magnetic and Electrical Stimulation for Neurological, Disorder Treatment*. American Journal of Biomedical Science & Research 24: 415-418.
- Bahman Zohuri and David R Modisette (2019) *Electrical Brain Stimulation to Treat Neurological Disorder*. Journal of Health Science 123-128.
- Bahman Zohuri and Patrick J McDaniel (2022) *Transcranial Magnetic and Electrical Brain Stimulation for Neurological Disorders*, Academic Press.
- Bahman Zohuri (2024) *Unveiling Autism Myths, Facts, and AI/ML in Early Diagnosis* Acta Scientific Pharmaceutical Sciences 8.
- Shiva Dalili and Bahman Zohuri (2024) *Unraveling the Knot: Noninvasive Strategies to Combat Stress for a Healthier Heart by Artificial Intelligence Innovations*. Japan Journal of Clinical & Medical Research, 4: 1-3.
- Shiva Dalili and Bahman Zohuri (2023) *Understanding Autism Spectrum Disorder (ASD) Unraveling the Mysteries (A Short Review)* Management Studies 11: 270-280.
- Bahman Zohuri and Shiva Dalili (2023) *Understanding Down Syndrome (DS) and Autism Spectrum Disorder (ASD) A Comparative Analysis and Noninvasive Treatment Approaches*. Journal of Psychiatry and Neurochemistry Research 1: 1-7.
- Shiva Dalili and Bahman Zohuri (2023) *Anorexia Nervosa: Unmasking the Deadly Struggle and the Path to Recovery. A Review Article*, Science Set Journal of Medical and Clinical Case Studies 1-7.
- Bahman Zohuri and Shiva Dalili (2023) *Understanding Dementia: Types and Their Impact*. Science Set Journal of Medical and Clinical Case Studies, Sci Set J of Med Cli Case Stu 1-4.
- Shiva Dalili and Bahman Zohuri (2023) *The Silent Struggle: Depression-Driven Severe Paranoia and Hallucination Symptoms*. Scholarly Journal of Psychology and Behavioral Sciences, 7: 888-891.
- Shiva Dalili and Bahman Zohuri (2023) *Revolutionizing Treatment: AI-Driven Noninvasive Approaches for ODD and ADHD*. Management Studies, 11: 215-220.
- Shiva Dalili and Bahman Zohuri (2023) *Unveiling the Intricacies of Opposite-Defiant Disorder Understanding Disruptive Behavior*. Science Set Journal of Medical and Clinical Case Studies 1-6.
- Bahman Zohuri and Masoud Moghaddam (2018) *Artificial Intelligence Driven by a General Neural Simulation System -- Genesis*. Nova Science Pub Inc.
- Bahman Zohuri, Simak Zadeh (2020) *Artificial Intelligence Driven by Machine Learning and Deep Learning*. Nova Science Pub Inc.